



**High Power Current Sensing Resistors RLP Series  
( Halogen-Free )**

Document No	TRLP-256C001A
Issued date	2013/06/26
page	1/6

**1. Scope :**

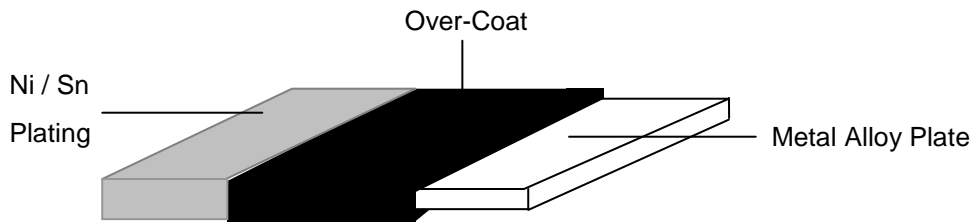
This specification applied to the products of current sensing resistor of metal foil for Lead-Free RLP series manufactured by TA-I TECHNOLOGY CO.,LTD.

**2. Type Designation :**

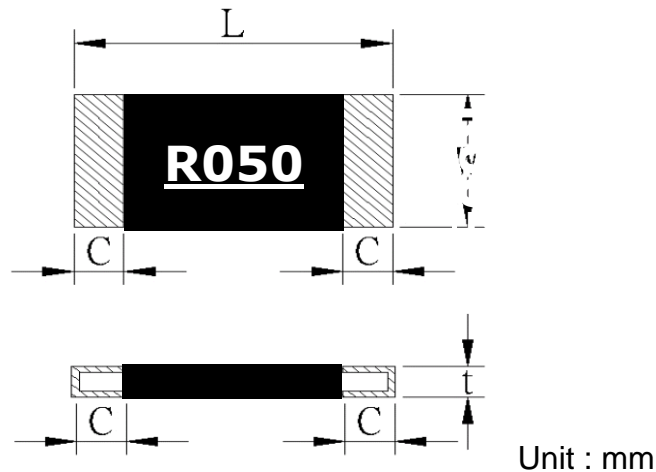
<u>RLP</u> Item	<u>25</u> Series No.	<u>F</u> Resistance tolerance	<u>E</u> Packaging	<u>E</u> Power rating	<u>M</u>	<u>R050</u> Resistance	<u>B</u> Over-Coat Color
25:2512 (6432)	F:±1% G:±2% J:±5%	E: Embossed Tape	E=2W	M=Mn/Cu	e.g : R050=50mΩ	black	

**3. Construction and Dimension :**

**3.1 Construction:**



**3.2 Dimension:**



Style	L	W	C	T	Material
RLP25	6.4±0.2	3.2±0.2	0.9±0.2	0.7 ±0.20	Strip : Alloy Over Coating : Polymer Compound UL-94V-0 grade



**High Power Current Sensing Resistors RLP Series  
( Halogen-Free )**

Document No	TRLP-256C001A
Issued date	2013/06/26
page	2/6

**4. Features:**

Type	RLP25
Power Rating	2 W
Resistance Value	50mΩ
Operation Temperature Range	-55°C ~+170°C
Temperature Coefficient of Resistance	±75ppm/°C
Tolerance	±1%,±2%,±5%
Insulation Resistance	100 Meg Ohms Minimum
Maximum Working Current (A)	(P/R) <sup>1/2</sup>

**5. Reliability Tests :**

Test Items	Reference standard	Condition of Test	Test Limits
Temperature Coefficient of Resistance	IEC60115-1 4.8 JIS C 5201-1 4.8	+25°C ~ +125°C	Refer 4.0
Load Life	IEC60115-1 4.25.1 JIS C 5201-1 4.25.1	1000hours at rated power, 70°C, 1.5hours "ON", 0.5hour "OFF"	< ±1%
Short Time Overload	IEC60115-1 4.13 JIS C 5201-1 4.13	5 X rated power for 5s	< ±0.5%
Moisture no Load	IEC60115-1 4.24.2.1a) JIS C 5201-1 4.24.2.1a)	85°C, 85%RH, 1000hrs	< ±1%
Temperature cycle	IEC60115-1 4.19 JIS C 5201-1 4.19	-55°C & +155°C, 300cycle, 15min per extreme condition	< ±0.5%
Resistance to Soldering Heat	IEC60115-1 4.18 JIS C 5201-1 4.18	260±5°C for20±1 sec	< ±0.5%
Solderability	IEC60115-1 4.17 JIS C 5201-1 4.17	245±5°C, 2±0.5sec	At least 95% of surface area of electrode shall be covered with new solder
High Temperature Exposure	IEC60115-1 4.23.2 JIS C 5201-1 4.23.2	170°C, 1000hrs	< ±1%
Low Temperature Storage	IEC60115-1 4.23.4 JIS C 5201-1 4.23.4	-55°C, 1000hrs	<±0.5%
Substrate Bending	IEC60115-1 4.33 JIS C 5201-1 4.33	Bending width 2mm	< ±1%
Insulation Resistance	IEC60115-1 4.6 JIS C 5201-1 4.6	100V DC for 1 minute	>100 MΩ

Note:2&3watts total Solder pad and trace size of 300mm



High Power Current Sensing Resistors RLP Series  
( Halogen-Free )

Document No	TRLP-256C001A
Issued date	2013/06/26
page	3/6

5.1 Derating Curve



5.2 Rated Current

The rated current is calculated by the following Formula:

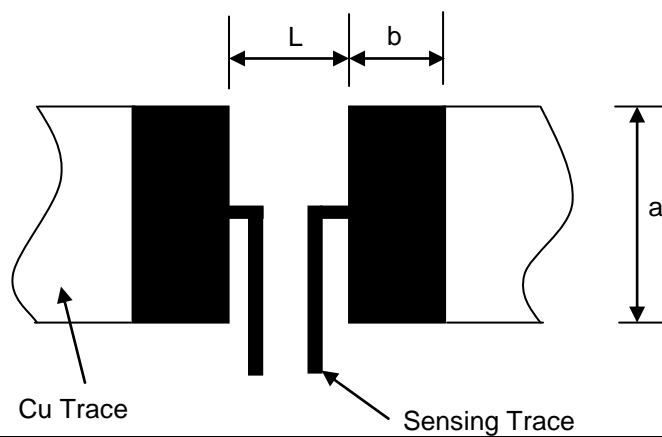
$$I = \sqrt{P/R}$$

I : Rated Current (A)

P : Rated Power (W)

R : Resistance Value (Ω)

6. Recommended Solder Pad Dimension



Resistance Range (Ω)	a	b	L
0.05	4.0	2.1	4.1

Unit: mm



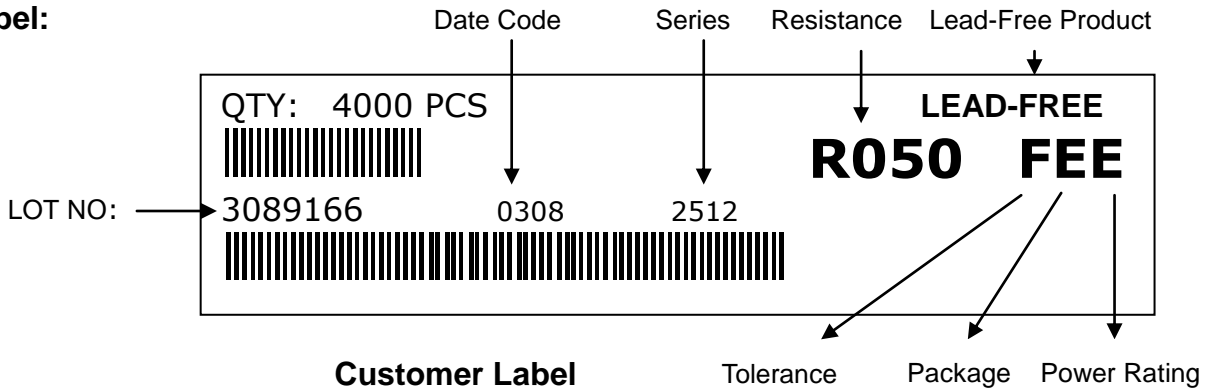
High Power Current Sensing Resistors RLP Series  
( Halogen-Free )

Document No	TRLP-256C001A
Issued date	2013/06/26
page	4/6

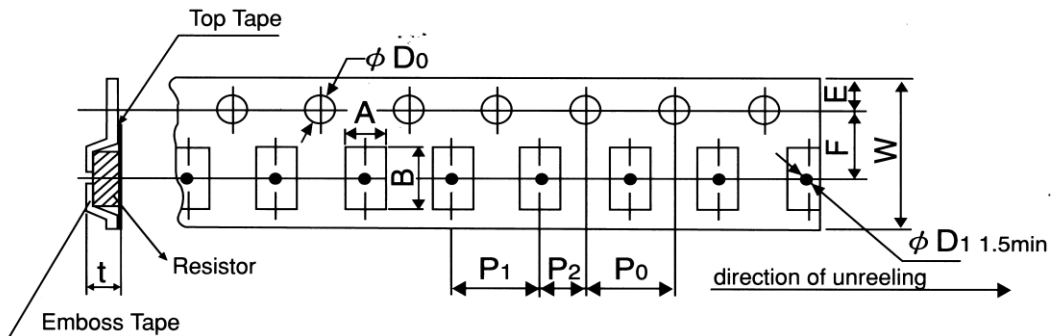
7. Number of Package:

4000 Pieces / package

8. Label:



9. Taping



Packing	Type	A	B	W	F	E	$P_1$	$P_2$	$P_0$	$D_0$	t
Emboss	RLP25	3.6±0.2	6.9±0.2	12±0.2	5.5±0.05	1.75±0.1	4.0±0.1	2.0±0.05	4.0±0.05	$\phi 1.5$ (+0.1/-0)	1.2±0.15



High Power Current Sensing Resistors RLP Series  
( Halogen-Free )

Document No	TRLP-256C001A
Issued date	2013/06/26
page	5/6

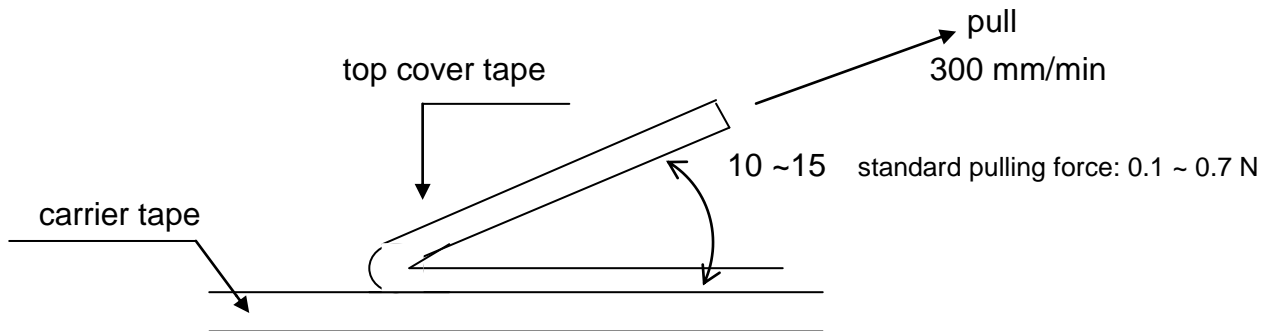
10. Reel Specification



Series	$\phi A$	$\phi B$	$\phi C$	W	T
RLP 25	180 <sup>+0</sup> <sub>-3</sub>	60 ±1.0	13.0±1.0	13.0±1.0	15.4±2.0

11. Peeling Strength of Top Cover Tape

Test Condition: 0.1 to 0.7 N at a peel-off speed of 300 mm / min.



12. Storage Conditions:

Temperature: 5°C ~35°C, Humidity: 40%~75%

13. Shelf Life:

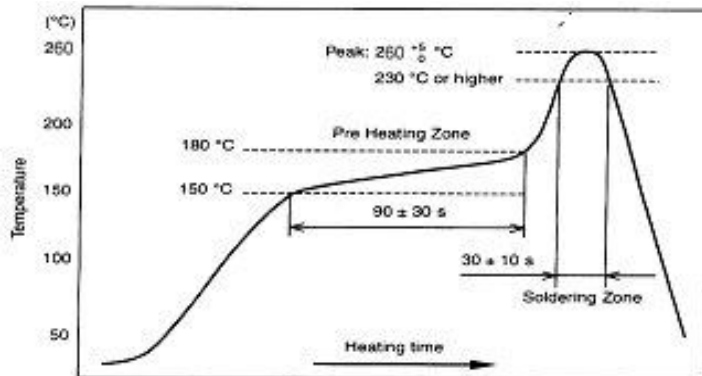
2 years from manufacturing date.



## High Power Current Sensing Resistors RLP Series ( Halogen-Free )

Document No	TRLP-256C001A
Issued date	2013/06/26
page	6/6

### 14. Recommend IR – Reflow profile: (solder: Sn96.5 / Ag3 / Cu0.5)



**Peak : 260  $\begin{matrix} +5 \\ -0 \end{matrix}$  °C , 5 sec**

**Pre – heat zone : 150 to 180 °C , 90±30 sec**

**Soldering zone : 230°C or higher , 30±10 sec**

**Iron Solder: 350±10°C , 3+1/-0 sec**

### 15. ECN

Engineering Change Notice: The customer will be informed with ECN if there is significant modification on the characteristics and materials described in approval sheet.

### 16. Manufacturing Country & City :

TA-I TECHNOLOGY CO., LTD. ( Taiwan– Tao Yuan )

Tel : (+886) 3-3246169 Fax : (+886) 3-3246167

#### Associated companies :

(1)TA-I TECHNOLOGY ( SU ZHOU ) CO., LTD. ( China – Su Zhou)

Tel :(+86) 512-63457879 Fax : (+86) 512-63457869

(2) TA-I TECHNOLOGY ELECTRONIC (DONGGUAN) CO., LTD. ( China –Dongguan )

Tel : (+86) 769-8339-4790~3 Fax : (+86) 769-8339-4794

(3) FORTUNE TASK RESISTOR FACTORY ( China – Dongguan )

Tel : (+86) 769-8339-4790~3 Fax : (+86) 769-8339-4794

(4) TAI OHM ELECTRONICS ( M ) SDN. BHD. ( Malaysia – Penang )

Tel :(+60) 4- 3900480 Fax : (+60) 4-3901481

(5) P.T.TAI ELECTRONIC Indonesia ( Indonesia – Jakarta )

Tel :(+62) 21-44820254 Fax : (+62) 21-44820256